

# Touch Panel Switch

MH-S412-EU

## Introduction

MCOHome Touch Panel Switch is a wall switch with built-in Z-Wave module. It supports basic command class, multi channel command class and multi channel association command class, which can control all associated devices synchronously. This product can be included and operated in any Z-Wave network with other Z-Wave certified devices from any other manufacturers.

## Specifications

Power supply: AC220V, 50Hz

Frequency: 868.42MHz

Max load: 5A each channel

Load type: Incandescent, Fluorescent, Ballast, Motor, CFL

## Installation Instructions

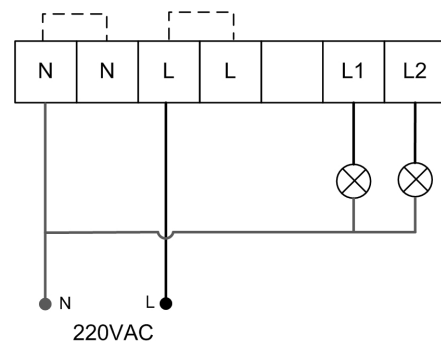
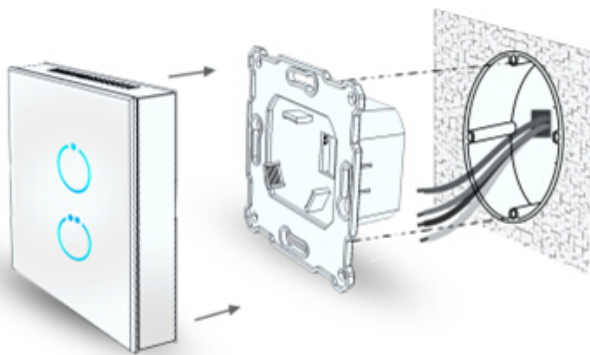
### IMPORTANT:

- A qualified electrician with the understanding of wiring diagrams and knowledge of electrical safety should complete the installation inside the main circuit box (normally outside your house)
- Read all instructions and documentation and save for future reference

### Step1 Preparing

**CAUTION:** Cut off power supply at circuit breaker or fuse before installation to avoid fire, shock or death!

### Step2 Wiring ( standard strip length: 6-8mm )



1. Separate the device into two parts: the touch panel and the bottom.
2. Connect Hot Line to any “L” on the bottom.
3. Connect Neutral Line to any “N”.
4. Connect Load wire to “L1&L2”.
5. Secure the bottom onto the junction box with two screws, and then mount the touch panel back.

## Operation

### INCLUDING the Touch Panel Switch into your network

1. Set the controller into INCLUSION mode. Follow instructions provided by controller manufacturer.
2. Press and hold any key on the panel for 3 seconds.

Note: If inclusion is successful, all INDICATION LEDs on the panel will turn green, and all switches will turn on.

### EXCLUDING the Touch Panel Switch from your network

1. Set the controller into EXCLUSION mode. Follow instructions provided by controller manufacturer.
2. Press and hold any key on the panel for 3 seconds.

Note: If the exclusion is successful, all INDICATION LEDs on the panel will turn orange, and all switches will turn off. The exclusion will delete all association data.

### Turning on/off the Touch Panel Switch

The Touch Panel Switch can be controlled by:

- Pressing any key.
- Sending commands through controller or gateway. (the command classes which support this function are Basic Command Class, Binary Command Class, Switch All Command Class, and Multi Channel Command Class.)

### Multi Channel Control

The switch can be controlled by command “MULTI\_CHANNEL\_ENCAP” in the command class “COMMAND\_CLASS\_MULTI\_CHANNEL”.

Byte	Name
1	COMMAND_CLASS_MULTI_CHANNEL
2	MULTI_CHANNEL_CMD_ENCAP
3	Source End Point
4	Destination End Point
5	COMMAND_CLASS_SWITCH_BASIC or COMMAND_CLASS_SWITCH_BINARY
6	BASIC_SET/BASIC_GET or BINERY_SET/BINERY_GET
7	Value ( 0xFF -- ON 0x0 -- OFF )

Refer to “Z-Wave Command Class” for detail information, or consult the information provided by controller/ gateway manufacturer.

### Multi Channel Association

To set association groups by the command “COMMAND\_CLASS\_MULTI\_CHANNEL\_ASSOCIATION”.

The switch supports 3 association groups. The first two groups are used for switching associated devices (switch N controlling group N), and each group can support up to 5 nodes or terminals. The 3rd association group is used for reporting devices’ state to the controller if any changes happen. This group supports one node, which defaults to controller node.

For the first two groups, the touch panel switch will send basic set command to related association groups when setting switch state by gateway or key-pressing. Then the switch states of associated devices and their related key will be synchronic. For the 3rd group, a report will be sent to associated controller by it when any state changes happen in other groups.

### **Restoring Factory Settings**

Press and hold any key on the panel for 10 seconds for restoring factory settings. Then the node information and association data will be deleted.

Note: If factory settings are restored, all INDICATION LEDs on the panel will turn orange, and all switches will turn off.

### **Safety Notice**

1. Flush-mount only into a UL/ETL/CE certified plastic junction box. The minimum size should be 65\*65\*45mm, minimum Volume is 190cm<sup>3</sup>.
2. Use Copper Conductors Only.
3. CAUTION - Risk of Electric Shock - More than one disconnect switch may be required to de-energize the equipment before servicing.

### **1-year Limited Warranty**

MCOHome warrants this product to be free from defects in material and workmanship under normal and proper use for one year from purchase date of the original purchaser. MCOHome will, at its option, either repair or replace any part of its products that prove defective by reason of improper workmanship or materials. THIS LIMITED WARRANTY DOES NOT COVER ANY DAMAGE TO THIS PRODUCT THAT RESULTS FROM IMPROPER INSTALLATION, ACCIDENT, ABUSE, MISUSE, NATURAL DISASTER, INSUFFICIENT OR EXCESSIVE ELECTRICAL SUPPLY, ABNORMAL MECHANICAL OR ENVIRONMENTAL CONDITIONS, OR ANY UNAUTHORIZED DISASSEMBLY, REPAIR OR MODIFICATION. This limited warranty shall not apply if: (i) the product was not used in accordance with any accompanying instructions, or (ii) the product was not used for its intended function. This limited warranty also does not apply to any product on which the original identification information has been altered, obliterated or removed, that has not been handled or packaged correctly, that has been sold as second-hand or that has been resold contrary to Country and other applicable export regulations.