

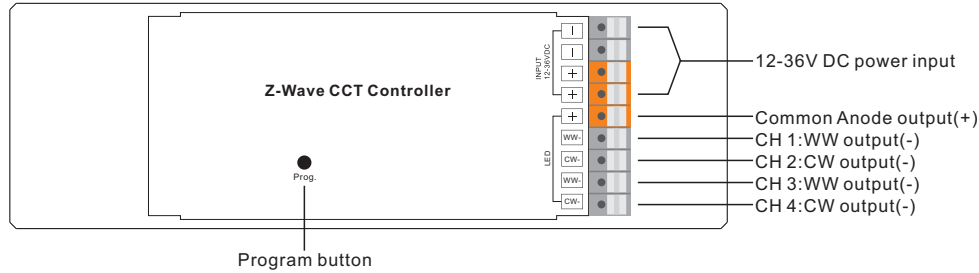
Dual Color Z-wave Receiver

09.ZV2FC.04285



Important: Read All Instructions Prior to Installation

Function introduction



Product Data

No.	Input Voltage	Output Current	Output Power	Remarks	Size(LxWxH)
1	12-36VDC	4x5A	4x(60-180)W	Constant voltage	170x53.4x28mm
2	12-36VDC	4x350mA	4x(4.2-12.6)W	Constant current	170x53.4x28mm
3	12-36VDC	4x700mA	4x(8.4-25.2)W	Constant current	170x53.4x28mm

- Features both receiver and repeater functions
- Z-wave slave
- Z-wave mesh network
- Compatible with all universal z-wave master controllers
- Compatible with dual color z-wave remotes
- Waterproof grade: IP20

Technical Data

SDK	6_51_06
Radio protocol	Z-Wave Plus
Basic Device Class	BASIC_TYPE_ROUTING_SLAVE
GenericDevice Class	GENERIC_TYPE_SWITCH_MULTILEVEL
Specific Device Class	SPECIFIC_TYPE_POWER_SWITCH_MULTILEVEL

Z-Wave Plus Info Report

Parameter	Value
Z-Wave Plus Version	1
Role Type	5 (ZWAVEPLUS_INFO_REPORT_ROLE_TYPE_SLAVE_ALWAYS_ON)
Node Type	0 (ZWAVEPLUS_INFO_REPORT_NODE_TYPE_ZWAVEPLUS_NODE)
Installer Icon Type	0x0600 (ICON_TYPE_GENERIC_LIGHT_DIMMER_SWITCH)
User Icon Type	0x0600 ICON_TYPE_GENERIC_LIGHT_DIMMER_SWITCH)

Manufacturer Specific Report

Parameter	Value (hex)
Manufacturer ID 1	0x00
Manufacturer ID 2	0x00
Product Type ID 1	0x00
Product Type ID 2	0x03
Product ID 1	0x00
Product ID 2	0x02

Association Command Class

Association Group	Group Name	Nodes	Send Mode	Send commands
Group 1	Lifeline	[1]	Single Cast	DEVICE_RESET_LOCALLY_NOTIFICATION (sent when factory reset the device)

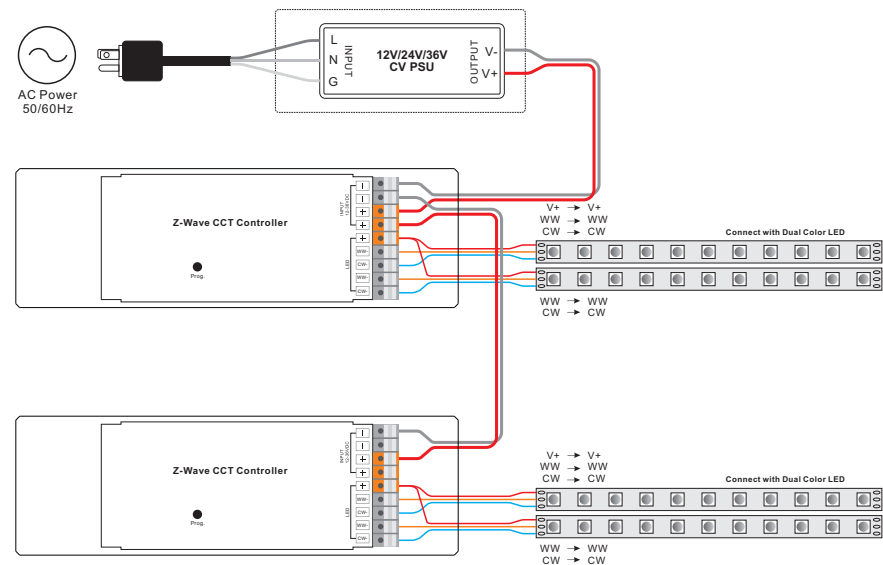
CCT Lighting Device Color Channels

Color Channel	Color	Used or Not
0	Warm White	Used
1	Cold White	Not Used
2	Red	Used
3	Green	Used
4	Blue	Used
5	Amber (for 6ch Color mixing)	Not Used
6	Cyan (for 6ch Color mixing)	Not Used
7	Purple (for 6ch Color mixing)	Not Used
8	Indexed Color	Used

Safety & Warnings

- DO NOT install with power applied to device.
- DO NOT expose the device to moisture.

Wiring Diagram



Operation

1. Do wiring according to connection diagram correctly.

2. The dual color z-wave receiver is a z-wave plus enabled controller that does not support z-wave network administrator feature, and will always need a z-wave master (primary) controller to be added to z-wave network.

3. Added to Z-wave Network

Power on the receiver, by factory default setting, the connected LED lights will be under a slow rhythm breath status which means the receiver is waiting to be searched by the master (primary) controller or z-wave gateway -> set the z-wave master (primary) controller or gateway into network inclusion mode (please refer to the user manual to learn how) -> There shall be an indication on the master (primary) controller or gateway -> LED light connected with the receiver flashes 5 times quickly to indicate successful and automatic adding to z-wave network

4. Group for Associations

This device supports 1 Group for associations:

Group 1: Lifeline (Used for reporting devices' state to the Master Controller if any changes happen). This group supports one node, which default association to the Master Controller node.

5. All command class that the single color receiver supports are as follows:

```
COMMAND_CLASS_ZWAVEPLUS_INFO,  
COMMAND_CLASS_VERSION,  
COMMAND_CLASS_MANUFACTURER_SPECIFIC,  
COMMAND_CLASS_DEVICE_RESET_LOCALLY,  
COMMAND_CLASS_POWERLEVEL,  
COMMAND_CLASS_ASSOCIATION,  
COMMAND_CLASS_ASSOCIATION_GRP_INFO,  
COMMAND_CLASS_BASIC,  
COMMAND_CLASS_CENTRAL_SCENE,  
COMMAND_CLASS_SCENE_ACTIVATION,  
COMMAND_CLASS_SCENE_ACTUATOR_CONF,  
COMMAND_CLASS_SWITCH_MULTILEVEL,  
COMMAND_CLASS_COLOR_CONTROL,  
COMMAND_CLASS_SWITCH_ALL,  
COMMAND_CLASS_FIRMWARE_UPDATE_MD_V2
```

6. Removed from z-wave network

When the receiver has already been added to z-wave network and connected LED light is switched on, set the z-wave master (primary) controller or gateway into network exclusion mode (please refer to the user manual to learn how) -> click the "prog" key on the receiver -> there shall be an indication on the master (primary) controller -> the connected LED light with the receiver flashes twice to indicate successful removal from z-wave network

7. Reset to factory default setting

When the receiver has already been added to z-wave network and the connected LED light is switched on, press and hold down the "prog" key on the receiver -> power off the receiver, then power on the receiver -> the connected LED light will flash 3 times -> release the "prog" key -> the connected LED light turns off -> the receiver will restart automatically and the connected LED light will be under a slow rhythm breath status to indicate successful reset to factory default setting

Note: Resetting the device is not recommended and please only execute it in the event that your primary Controller is lost or otherwise inoperable, a reset of the device will clear all network information.

Note: By factory default setting, the Z-wave receiver is not added to z-wave network.