



Aeon Labs Micro Smart Energy Illuminator
(In-Wall Z-Wave Dimmer Module w/ Energy Monitor)

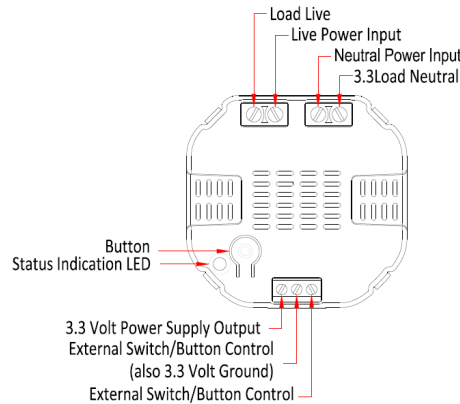


In-Wall Electrical Installation Instructions:

IMPORTANT: A licensed electrician with knowledge and understanding of electrical systems and electrical safety should complete the electrical installation inside the main circuit box (usually located outside of your house).

IMPORTANT: The electricity to the circuit must be shut off during installation for safety and to ensure that wires are not shortcircuited during installation which will cause damage to the Micro Module.

The Aeon Labs Micro Smart Energy Illuminator must first be powered by a 3-wire system in order to operate. The wiring diagram is as follows:



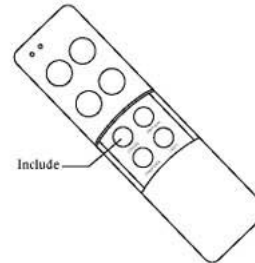
Z-Wave Network Instructions:

The Aeon Labs Micro Smart Energy Illuminator must be paired (included) into a Z-Wave network before it can receive Z-Wave commands to turn on/off/dim and report its energy usage. The Smart Energy Illuminator can only communicate to devices within its own Z-Wave network.

Note: The LED on the Micro Smart Energy Illuminator will blink if it is currently not paired into a Z-Wave network.

• Adding/Including/Pairing the Micro Smart Energy Illuminator into a Z-Wave Network

1. Press the button labeled “Include” on the Aeon Labs Minimote to begin the Z-Wave inclusion process.



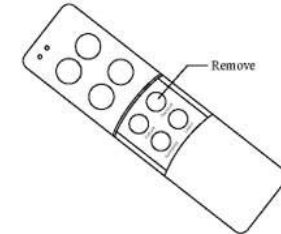
Note: To include the Aeon Labs Micro Smart Energy Illuminator with other controllers, please consult the operation manual for these controllers on how to include Z-Wave products into an existing network. For instructions on select partner gateways, visit www.aeon-labs.com/support.

2. While the Micro Smart Energy Illuminator is powered in a 3-wire system, press the button located near the Status Indication LED. Or alternatively, the external switch/button control can be pressed 6 times in quick succession.

Troubleshooting: If the Aeon Labs Micro Smart Energy Illuminator was not successfully included into any Z-Wave network, the LED will be blinking slowly continually. If the Aeon Labs Micro Smart Energy Illuminator was successfully included to a Z-Wave network, the Status Indication LED will either be solid on or off (depending on if the switch is on or off) 10 seconds after the button was last pressed.

• Removing/Resetting the Micro Smart Energy Illuminator from your Z-Wave Network

1. Press the button labeled “Remove” on the Aeon Labs Minimote Stick to begin the Z-Wave removal process.



Note: To include the Aeon Labs Micro Smart Energy Illuminator with other controllers, please consult the operation manual for these controllers on how to include Z-Wave products into an existing network. For instructions on select partner gateways, visit www.aeon-labs.com/support.

2. While the Micro Smart Energy Illuminator is powered in a 3-wire system, press the button located near the Status Indication LED. Or alternatively, the external switch/button control can be pressed 6 times in quick succession.

Troubleshooting: If the Aeon Labs Micro Smart Energy Illuminator was removed from the Z-Wave network, the Status Indication LED will be blinking. If the Aeon Labs Micro Smart Energy Illuminator was not successfully removed from the Z-Wave network, the Status Indication LED will either be solid on or off (depending on if the switch is on or off) 10 seconds after the button was last pressed.

• Turning On/Off/Dim the Micro Smart Energy Illuminator

Use any of the below methods to turn on/off or dim the power through the Micro Smart Energy Illuminator.

- Pressing the button on the external (Wall) switch will be able to toggle power flow (on/off) through the Smart Energy Illuminator (2-state flip/flop switch). If the mode of the micro

module is set to momentary push button, holding the push button will dim the lights and a short press will toggle the lights between on/off.

- Through the usage of Z-Wave commands built into Z-Wave certified controllers and gateways. (The specific Z-Wave commands supporting this function are the Basic Command Class and Multilevel Switch Command Class.) Please consult the operation manual for these controllers for specific instructions on controlling the Smart Energy Illuminator.
- A short press on the button of the Smart Energy Illuminator will toggle the lights (on/off) while holding this button will dim the lights.

Warranty

Aeon Labs warrants to the original purchaser of Products that for the Warranty Period (as defined below), the Products will be free from material defects in materials and workmanship. The foregoing warranty is subject to the proper installation, operation and maintenance of the Products in accordance with installation instructions and the operating manual supplied to Customer. Warranty claims must be made by Customer in writing within thirty (30) days of the manifestation of a problem. Aeon Labs' sole obligation under the foregoing warranty is, at Aeon Labs' option, to repair, replace or correct any such defect that was present at the time of delivery, or to remove the Products and to refund the purchase price to Customer.

The "Warranty Period" begins on the date the Products is delivered and continues for 12 months.

Any repairs under this warranty must be conducted by an authorized Aeon Labs service representative and under Aeon Labs' RMA policy. Any repairs conducted by unauthorized persons shall void this warranty.

Excluded from the warranty are problems due to accidents, acts of God, civil or military authority, civil disturbance, war, strikes, fires, other catastrophes, misuse, misapplication, storage damage, negligence, electrical power problems, or modification to the Products or its components.

Aeon Labs does not authorize any person or party to assume or create for it any other obligation or liability in connection with the Products except as set forth herein.

Aeon Labs will pass on to Customer all manufacturers' Material warranties to the extent that they are transferable, but will not independently warrant any Material.

Customer must prepay shipping and transportation charges for returned Products, and insure the shipment or accept the risk of loss or damage during such shipment and transportation. Aeon Labs will ship the repaired or replacement products to Customer freight prepaid.

Customer shall indemnify, defend, and hold Aeon Labs and Aeon Labs' affiliates, shareholders, directors, officers, employees, contractors, agents and other representatives harmless from all demands, claims, actions, causes of action, proceedings, suits, assessments, losses, damages, liabilities,

settlements, judgments, fines, penalties, interest, costs and expenses (including fees and disbursements of counsel) of every kind (i) based upon personal injury or death or injury to property to the extent any of the foregoing is proximately caused either by a defective product (including strict liability in tort) or by the negligent or willful acts or omissions of Customer or its officers, employees, subcontractors or agents, and/or (ii) arising from or relating to any actual or alleged infringement or misappropriation of any patent, trademark, mask work, copyright, trade secret or any actual or alleged violation of any other intellectual property rights arising from or in connection with the products, except to the extent that such infringement exists as a result of Aeon Labs' manufacturing processes.

IN NO EVENT SHALL AEON LABS BE LIABLE FOR ANY INDIRECT, INCIDENTAL, PUNITIVE, SPECIAL OR CONSEQUENTIAL DAMAGES, OR DAMAGES FOR LOSS OF PROFITS, REVENUE, OR USE INCURRED BY CUSTOMER OR ANY THIRD PARTY, WHETHER IN AN ACTION IN CONTRACT, OR TORT, OR OTHERWISE EVEN IF ADVISED OF THE POSSIBILITY OF SUCH DAMAGES. AEON LABS' LIABILITY AND CUSTOMER'S EXCLUSIVE REMEDY FOR ANY CAUSE OF ACTION ARISING IN CONNECTION WITH THIS AGREEMENT OR THE SALE OR USE OF THE PRODUCTS, WHETHER BASED ON NEGLIGENCE, STRICT LIABILITY, BREACH OF WARRANTY, BREACH OF AGREEMENT, OR EQUITABLE PRINCIPLES, IS EXPRESSLY LIMITED TO, AT AEON LABS' OPTION, REPLACEMENT OF, OR REPAYMENT OF THE PURCHASE PRICE FOR THAT PORTION OF PRODUCTS WITH RESPECT TO WHICH DAMAGES ARE CLAIMED. ALL CLAIMS OF ANY KIND ARISING IN CONNECTION WITH THIS AGREEMENT OR THE SALE OR USE OF PRODUCTS SHALL BE DEEMED WAIVED UNLESS MADE IN WRITING WITHIN THIRTY (30) DAYS FROM AEON LABS'S DELIVERY, OR THE DATE FIXED FOR DELIVERY IN THE EVENT OF NONDELIVERY.

THE INDEMNITY AND WARRANTY IN ABOVE ARE EXCLUSIVE AND IN LIEU OF ALL OTHER INDEMNITIES OR WARRANTIES, WHETHER EXPRESS OR IMPLIED, INCLUDING THE IMPLIED WARRANTIES OF MERCHANTABILITY AND FITNESS FOR A PARTICULAR PURPOSE.

FCC NOTICE (for USA):

THE MANUFACTURER IS NOT RESPONSIBLE FOR ANY RADIO OR TV INTERFERENCE CAUSED BY UNAUTHORIZED MODIFICATIONS TO THIS EQUIPMENT. SUCH

MODIFICATIONS COULD VOID THE USER'S AUTHORITY TO OPERATE THE EQUIPMENT.

This device complies with Part 15 of the FCC Rules. Operation is subject to the following two conditions:

1. This device may not cause harmful interference, and
2. This device must accept any interference received, including interference that may cause undesired operation. This equipment has been tested and found to comply with the limits for a Class B digital device, pursuant to part 15 of the FCC Rules. These limits are designed to provide reasonable protection against harmful interference in a residential installation. This equipment generates, uses and can radiate radio frequency energy and, if not installed and used in accordance with the instructions, may cause harmful interference to radio communications. However, there is no guarantee that interference will not occur in a particular installation. If this equipment does cause harmful interference to radio or television reception, which can be determined by turning the equipment off and on, the user is encouraged to try to correct the interference by one or more of the following measures:
 - Reorient or relocate the receiving antenna.
 - Increase the separation between the equipment and receiver.
 - Connect the equipment into an outlet on a circuit different from that to which the receiver is connected.
 - Consult the dealer or an experienced radio/TV technician for help.

Warning:

Do not dispose of electrical appliances as unsorted municipal waste, use separate collection facilities. Contact your local government for information regarding the collection systems available.

Certifications (regional):



Harmonizing the Smart Home.

www.aeon-labs.com

Change Mode on the External Switch/Button Control

The Aeon Labs Micro Smart Energy Illuminator by default is set to be controlled via 2-state (flip/flop) external wall switch. Pushing the button 6 times in quick succession on the Micro Smart Energy Illuminator will swap between this default mode and the momentary push button external wall switch mode.

Monitoring Energy Consumption

The Aeon Labs Micro Smart Energy Illuminator can report wattage energy usage or kWh energy usage to a Z-Wave gateway or controller when requested. If this function is supported by the gateway/controller, the energy consumption will be displayed in the user interface of the gateway/controller. (The specific Z-Wave commands supporting energy monitoring are the Meter Command Class and Multilevel Sensor Command Class. Automatic reports go to the only association group, 1, which is setup via the Association Command Class.) Please consult the operation manual for these gateways/controllers for specific instructions on monitoring the Smart Energy Illuminator.

Technical Specifications

- USA: 110V 60Hz input, 275W or 2.5A max output
- EU/AU: 230V 50Hz input, 575W or 2.5A max output