

# 成品尺寸120-60mm (折叠后) 文件不含出血位

01

## 产品概述

本产品是一款ZigBee可调光/RGB控制盒，它可以与普通灯带或平板灯连接，把灯控制信号通过ZigBee网络链接到ZigBee主机中，用手机APP可以轻松调节灯光的颜色和明暗，让普通灯迅速变成智能灯。

## 产品特点

- ZigBee HA协议自组网技术，无需对码，操作更加简单
- 可接市面上任意V+信号平板灯或灯带
- 支持RGB1600万种颜色调整，支持2700K至6500K色温调整
- 支持DC12V和DC24V两种规格的电压
- 与ZigBee智能主机配合可实现情景模式联动
- 断电记忆功能，重新上电后无需重新入网
- 设备相互之间可进行信号传输，扩展信号范围，构建一个稳定、可靠、安全的无线网络
- 本产品可应用于家庭、办公、医院和酒店等场所

02

## 产品清单

- ZigBee /RGB控制盒 个
- 螺丝两颗
- 螺丝盖两颗
- 售后服务卡一张
- ZigBee /RGB控制盒说明书 份

## 注意事项

- 1) 产品安装时，请确认线路已断电；
- 2) 请严格按照接线图接线，并在接线前确认每根线的实际定义；
- 3) RGB控制盒只能接V+信号控制的平板灯或灯带；
- 4) 电源供电电压必须与所接负载的额定电压相同；
- 5) 请注意防潮防湿，仅用于干燥场所，不能用于浴室等潮湿环境。

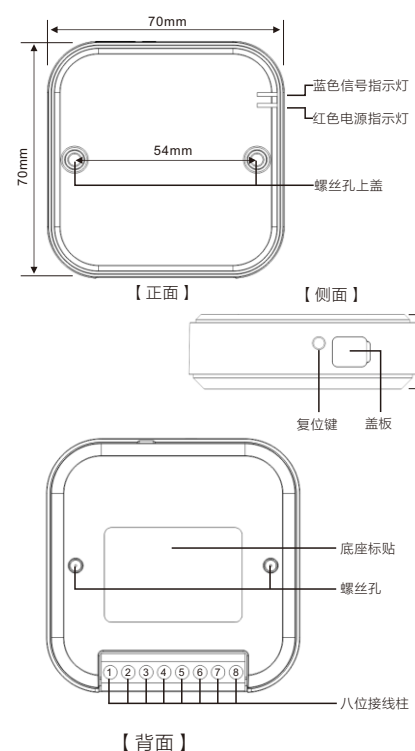
03

## 产品参数

|         |                     |
|---------|---------------------|
| 型号      | CC10ZW              |
| 尺寸      | 70*70*23mm(L*W*H)   |
| 供电电压    | DC12V或DC24V         |
| 最大负载电流  | 20A                 |
| 工作频率    | 2.4GHz              |
| 发射功率    | 20dBm               |
| 静态功耗    | <0.1W               |
| 无线接收灵敏度 | ≥-90dBm             |
| 通讯协议    | ZigBee HA协议         |
| 组网方式    | ZigBee自组网           |
| 加密方式    | AES-128位密钥动态加密      |
| 距离      | 无线中继功能，无距离限制        |
| 工作环境    | 温度：-20~60℃；湿度：最大80% |

04

## 主体说明



05

## 模式说明

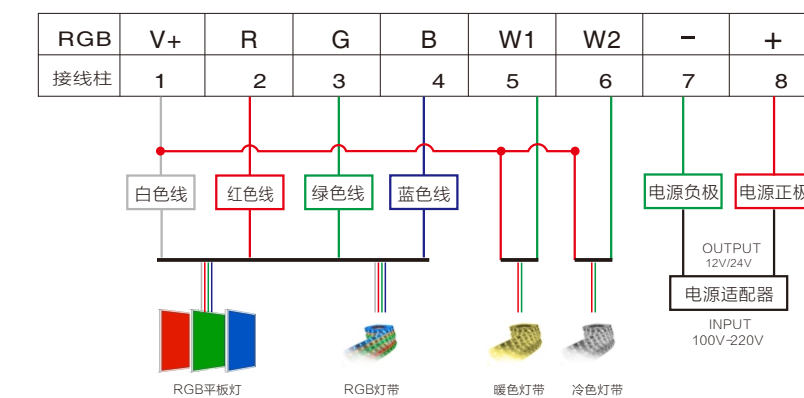
本产品安装前请首先选择其工作模式。利用平口螺丝刀打开控制盒侧面的拨码开关选择控制盒所要工作的模式：

- 未按下拨码开关1，控制盒处于RGB控制模式；
  - 按下拨码开关1，控制盒处于色温控制模式；
- 备注：拨码开关2、3无效。

06

## 接线说明

请按以下接线图完成设备连接：



- 1) 电源的DC12V/DC24V正极接入控制盒8号接线柱；
- 2) 电源的DC12V/DC24V负极接入控制盒7号接线柱；
- 3) 平板灯/灯带的V+控制线接入控制盒1号接线柱；
- 4) 平板灯的R控制线接入控制盒2号接线柱；
- 5) 平板灯的G控制线接入控制盒3号接线柱；
- 6) 平板灯的B控制线接入控制盒4号接线柱；
- 7) 暖色灯带的V-控制线接入控制盒5号接线柱；
- 8) 冷色灯带的V-控制线接入控制盒6号接线柱；

### 建议灯带规格

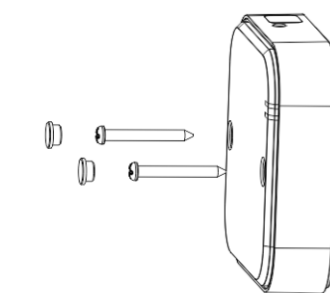
| 灯带   | 色温    | 电压       |
|------|-------|----------|
| 暖色灯带 | 2700K | DC12/24V |
| 冷色灯带 | 6500K | DC12/24V |
| RGB  | /     | DC12/24V |

备注：请在接线前确认RGB平板灯或灯带每根线的定义后再进行连接。

07

## 安装说明

请按以下方式安装固定：



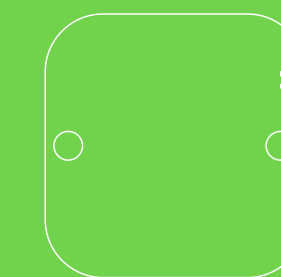
- 步骤一：从包装袋中取出螺丝，通过控制盒上盖的螺丝孔固定在墙壁位置；
- 步骤二：完成螺丝固定后，从包装袋中取出螺丝盖塞入两个螺丝孔的位置；
- 步骤三：安装完成后，接通电源，按照使用说明操作本产品；

08

- 1) 请按照安装说明中的接线说明将控制线按对应的接线柱连接好，并固定紧上电；
- 2) 控制盒上电后，如果红色电源指示灯常亮，则表示该设备已上电；
- 3) 如果蓝色指示灯为快闪，则说明控制盒处于脱网状态，尚未与ZigBee智能主机建立连接；
- 4) 如果蓝色指示灯每一秒闪一次，则说明控制盒处于搜索ZigBee网络状态；
- 5) 如果蓝色指示灯每两秒钟闪一次，并且闪烁5次后熄灭，则说明控制盒已经和ZigBee智能主机组网，用户可以通过ZigBee智能主机客户端对已入网设备进行管理；
- 6) 脱网方式：按5次控制盒上方的复位键，第5次时按住不放直至蓝色指示灯快闪，此时表明控制盒已经脱离网络，重新上电可重新入网。

注意：请勿在控制盒上电后任意拨动拨码开关选择工作模式，以防损坏本产品。

## User Manual ZigBee RGB Box



09

## Product overview

This product is a ZigBee RGB Box designed to control strip light and panel light. With the ZigBee RGB Box, users can change the color and brightness of RGB lights by APP on smartphones.

## Product features

- ZigBee automatic networking technology, no need to pair codes, easy to use
- Compatible with most V+ signal strip lights and panel lights on market
- Support 16 millions of colors, support 2700K to 6500K color temperature control
- Support DC12V and DC24V
- Support making scenes
- Power off memory function, no need to access ZigBee network again when power is off
- Mesh networking, Transmitting data over long distances by passing data through a mesh network of intermediate devices to reach more distant ones, as a result, build more stable and reliable ZigBee network.

10

## Packing list

- ZigBee RGB Boxx1
- Screwsx2
- Screw capx2
- After-sales service cardx1
- Manualx1

## Cautions

- 1) Please make sure the circuit is powered off before installation;
- 2) Please wire it up strictly according to the wiring instruction and make sure the definition of each wire before wiring it up;
- 3) RGB Box can only connect to V+ control panel light or strip light;
- 4) The power supply voltage must match the load's rated voltage;
- 5) This product is designed for dry places. It can't be used in moist environment like bathroom.

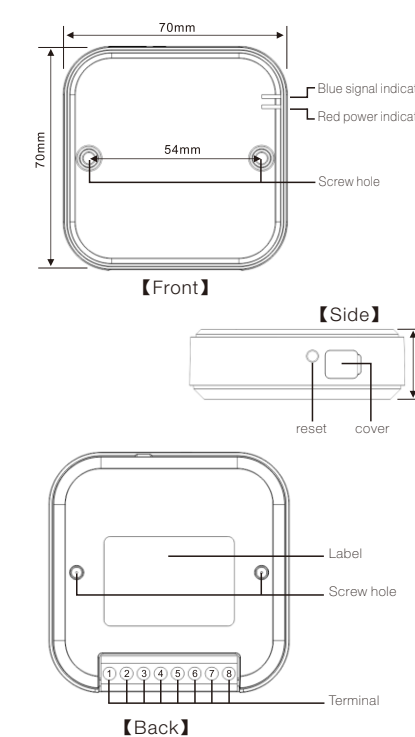
11

## Product spec

|                                 |                             |
|---------------------------------|-----------------------------|
| Model No.:                      | CC10ZW                      |
| Size:                           | 70*70*23mm(L*W*H)           |
| Power supply:                   | DC12V&DC24V                 |
| Max load current:               | 20A                         |
| Working frequency:              | 2.4GHz                      |
| Wireless Transmit power:        | 20dBm                       |
| Static power consumption:       | <0.1W                       |
| Wireless receiving sensitivity: | ≥-90dBm                     |
| Protocol:                       | ZigBee HA                   |
| Networking mode:                | ZigBee automatic networking |
| Encryption:                     | AES128                      |
| Distance:                       | no limit                    |
| Working temperature:            | -20~60℃                     |
| Working humidity:               | <80%                        |

12

## Lay out

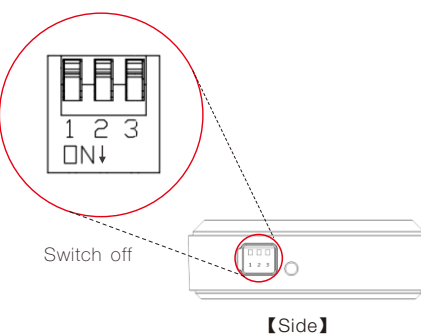


13

## Working mode selection

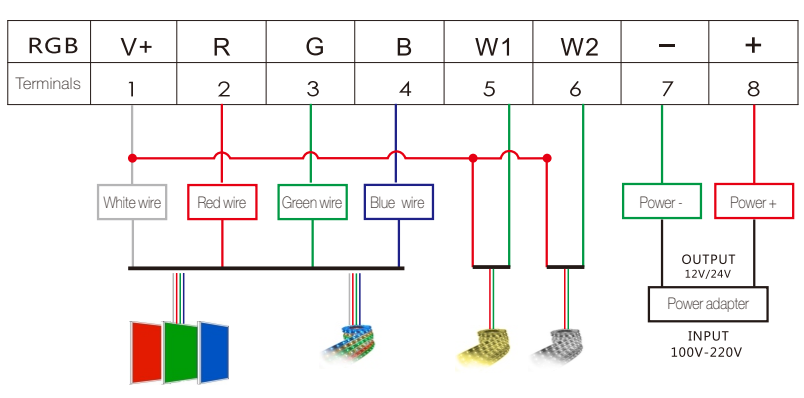
Before you install the relay, please select a working mode. Open the cover at the side of relay with your slotted screwdriver, then select the mode switch. Switch the dial switch with your slotted screwdriver to select the working mode.

- When the switch 1 is off, the RGB Box is in RGB mode.
  - When the switch 1 is on, the RGB Box is in color temperate mode.
- Remark: Switch 2 and switch 3 are disabled.



14

## Wirind instructions



- 1) Power DC12/DC24V+ connects to terminal 8
- 2) Power DC12/DC24V- connects to terminal 7
- 3) Panel light V+ (white wire) connects to terminal 1
- 4) Panel light R (red wire) connects to terminal 2
- 5) Panel light G (green wire) connects to terminal 3
- 6) Panel light B (blue wire) connects to terminal 4
- 7) Warm color strip light V- connects to terminal 5
- 8) Cool color strip light V- connects to terminal 6

Caution: Instruction above only applies to standard V+ signal panel lights or strip lights. Make sure what each wire means before installation.

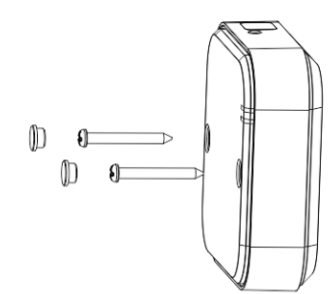
### Suggested strip light spec

| strip light            | Color temperate | Voltage  |
|------------------------|-----------------|----------|
| Warm color strip light | 2700K           | DC12/24V |
| Coldcolor strip light  | 6500K           | DC12/24V |
| RGB                    | /               | DC12/24V |

remark: Please wire it up strictly according to the wiring instruction and make sure the definition of each wire before wiring it up.

15

## Installation



- Step 1: Fix the screw into the hole
- Step 2: Cover the screws with the screw caps
- Step 3: After finishing installation, power it on and follow the user guide.

16

## User guide

1. Please wire it up according to the wiring instructions. Power it on after you are done.
2. After it is powered on, the red power indicator keeps on.
3. If the blue signal indicator flashes rapidly, the RGB Box has not joined the ZigBee network.
4. If the blue signal indicator flashes once every second, the RGB Box is searching the ZigBee network.
5. If the blue signal indicator flashes once every two seconds and becomes out after flashing 5 times, the RGB relay has joined the ZigBee network and networked with the ZigBee hub. Now users can manage it on ViHome APP.
6. Off-network method. Press the reset button 5 times and hold it until the blue signal indicator flashes rapidly, which means it has been off the ZigBee network. Power it on again to rejoin the ZigBee network.

Cautions: Do not switch working mode frequently after RGB Box is power on, it is possible to damage the product.

尊敬的用户：  
您好！非常感谢您选择我们公司的产品，希望我们的产品能够给您美好的生活增添一份智能化的色彩。

Dear users,  
Thank you for choosing ORVIBO products. We hope our products will make your life smarter. Welcome to experience the smart home life from ORVIBO ZigBee smart products.