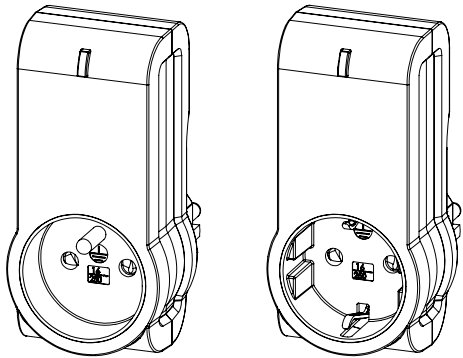


USER GUIDE



SMART PLUG



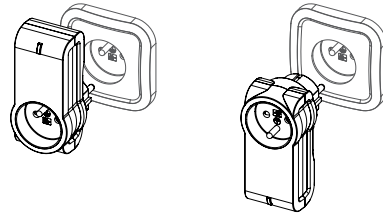
Smart Plug Type E
Reference: ASP-3-1-00

Smart Plug Schuko
Reference: ASP-3-1-10

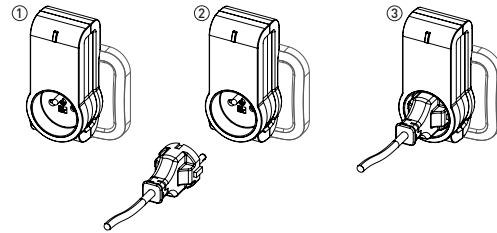
- Power supply: 230V AC +/-10% - 50Hz
- Self-consumption <1W
- Max. power: - 3000W continuous (Resistive load)
- 3500W temporary (Resistive load)
- Radio frequency: 868MHz
- Range up to 80 meters outdoor
- Range up to 40 meters indoor
- Operational temperature: -10°C / 50°C
- IP20
- Radio protocol: Z-Wave Plus® (500 series)
- Dimensions: 51mm (W) x 36mm (D) x 104mm (H)
- Weight: 137g
- Warranty: 2 years

The NodOn® Smart Plug allows to control (Power ON or Power OFF) an electrical appliance plugged on it: bedside lamp, electrical heater, coffee machine, etc. The NodOn® Smart Plug is compatible with the worldwide home automation standard, Z-Wave®, and all the products Z-Wave® or Z-Wave Plus® certified.

INSTALLATION



Thanks to an innovative design, the Smart Plug can be mounted on the power outlet in either side, head up or head down.



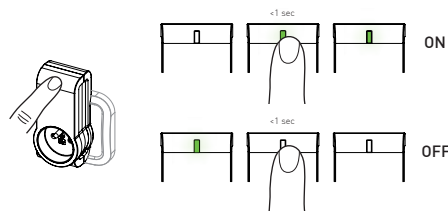
1. Plug the NodOn® Smart Plug on your power outlet
2. Plug the electrical appliance, you want to control, on the NodOn® Smart Plug.
3. The Smart Plug allows to switch ON (Power ON) or switch OFF (Power OFF) the electrical appliance you want to control.

Switching ON or OFF can be done through the Smart Plug local button, or any kind of Z-Wave® compatible devices, such as the NodOn® Octan Remote, the NodOn® Soft Remote or a Home Automation Gateway.

If the electrical appliance (ex.: bedside lamp) has an ON/OFF button, make sure it's positioned on "ON", in order that the power ON of the appliance by the Smart Plug will switch ON the lamp.

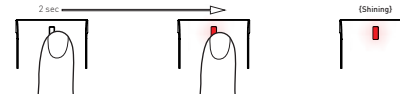
SMART PLUG MODES

"Local Control"



The Smart Plug can be switched ON or OFF locally, through a short press on the local button. By default, the Smart Plug is switched ON when the LED is green, OFF when the LED is OFF.

"Learning Mode"



Press on the Smart Plug button during 2 seconds until the LED becomes red. Release the button, the LED will then glow in red. The Smart Plug is in "Learning mode". To add or to remove the Smart Plug from a Z-Wave® network, follow "INCLUSION" or "EXCLUSION" procedures below.

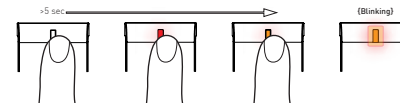
If the Smart Plug is not added or removed from a network within 30 seconds (or if the button is pushed during learning mode), the Smart Plug will automatically exit learning mode.

Expert remark: NodOn® created a power efficient « Learning mode ». During this mode, the Smart Plug will send its « Node Information » (NIF) at regular interval. If the Primary Controller is battery powered (such as the NodOn® Octan Remote), first put the Smart Plug in « Learning mode », and then proceed to the INCLUSION/EXCLUSION procedure of your controller. To send a single NIF, just triple press on the Smart Plug's button.

LED STATE	SMART PLUG STATUS
Shine in Red	Learning mode activated
Blink in Green	Successful Inclusion
Blink in Red	Successful Exclusion
Blink in Orange	"Learning mode" Timeout

"Factory Reset"

To perform a factory reset, press on the Smart Plug button during 5 seconds until the LED becomes orange. Release the button, the LED will blink red/green. Factory Reset clears the Smart Plug's memory and set parameters to default value.



WARNING

Please use this procedure only when the primary controller is missing or otherwise inoperable. Resetting the Smart Plug does not mean it has been removed from Z-Wave® network controller's memory. Use the primary controller to remove the Smart Plug from its Z-Wave® network (follow "EXCLUSION" procedures below), before doing a Factory Reset.

INCLUSION PROCEDURE

To add the Smart Plug into a Z-Wave® network

1. Plug the Smart Plug.
2. Put the Smart Plug in "Learning mode".
3. Within 30 seconds put the Z-Wave® Controller in "Learning mode" (See the Controller user guide for its own Inclusion procedure).
4. The Smart Plug will confirm the Inclusion procedure by blinking its LED in Green.

EXCLUSION PROCEDURE

To remove the Smart Plug from a Z-Wave® network

1. Make sure the Smart Plug is plugged.
2. Put the Smart Plug in "Learning mode".
3. Within 30 seconds put the Z-Wave® Controller in "Learning mode" (See the Controller user guide for its own Exclusion procedure).
4. The Smart Plug will confirm the Exclusion procedure by blinking its LED in Red.

POWER FAILURE

The Smart Plug embeds a very small energy backup, which allows it to send Notification Report on a Z-Wave® network during a short time, after a main power failure.

The Smart plug must be plugged at least 5 minutes before being able to detect each Power Failure.

ASSOCIATION GROUPS

Using Association group, the Smart Plug is able to command or notify another device of a Z-Wave® network.

The Association groups are set by the Main Controller. Once set, the association groups allow direct control, without involving the Main Controller in the communication.

The NodOn® Smart Plug proposes 8 association groups:

GROUP NUMBER	GRUPE NAME
1	Lifeline
2	Follow State
3	Follow Complementary State
4	Power Failure Notification
5	Power Failure - Set On
6	Power Failure - Set Off
7	Power Recover - Set On
8	Power Recover - Set Off

Group 1 - Lifeline

Maximum number of devices in the group: 5
This group is generally used to report information of the Smart Plug to the Main Controller of the network.

Group 2 - Follow State

Maximum number of devices in the group: 5
When the Smart Plug is switched ON (respectively OFF) using the local button, it will send ON (respectively OFF) command to the associated devices. No command is sent if the Smart Plug is switched ON or OFF wirelessly.

Group 3 - Follow Complementary State

Maximum number of devices in the group: 5
When the Smart Plug is switched ON (respectively OFF) using the local button, it will send OFF (respectively ON) command to the associated devices. No command is sent if the Smart Plug is switched ON or OFF wirelessly.

Group 4 – Power Failure Notification

Maximum number of devices in the group: 5

When the Smart Plug detects a power failure or recovers from a power failure, it sends the notification report to the associated devices.

The sent Notification is "Notification Report: Power Management – AC Disconnected / Re-connected"

Group 5 – Power Failure Set ON

Maximum number of devices in the group: 5

When the Smart Plug detects a Power Failure, it will be switched ON the associated devices

Group 6 – Power Failure Set OFF

Maximum number of devices in the group: 5

When the Smart Plug detects a Power Failure, it will be switched OFF the associated devices

Group 7 – Power Recover Set ON

Maximum number of devices in the group: 5

When the Smart Plug detects a Power Recover, it will be switched ON the associated devices

Group 8 – Power Recover Set OFF

Maximum number of devices in the group: 5

When the Smart Plug detects a Power Recover, it will be switched OFF the associated devices

CONFIGURATION

The Smart Plug offers a wide range of configuration, which can be set and handled by the Z-Wave® network Main Controller.

Default State

PARAMETER NUMBER	DEFAULT VALUE	SIZE
1	2	1 [byte]

This parameter defines the status of the Smart Plug after a Power Failure or after being plugged.

VALUE	DESCRIPTION
0	OFF
1	ON
2	Status before Power Failure

Power Failure

PARAMETER NUMBER	DEFAULT VALUE	SIZE
2	0	1 [byte]

This parameter is to set-up the Power Failure / Recover notification and the associated group (Groups 4, 5, 6, 7, 8).

VALUE	DESCRIPTION
0	Power Failure detection disable
1	Power Failure enable (report to Lifeline only)
2	Enable group 4
4	Enable group 5
8	Enable group 6
16	Enable group 7
32	Enable group 8

The value may be the sum of available values.

For example, if you want to activate Power Failure and enable group 4 & 5, the parameter value is 1+2+4=7.

Follow State

PARAMETER NUMBER	DEFAULT VALUE	SIZE
3	3	1 [byte]

This parameter allows to enable or disable Group 2 & Group 3.

VALUE	DESCRIPTION
0	Group 2 & Group 3 disable
1	Group 2 enable
2	Group 3 enable

The value may be the sum of available values.

For example, if you want to enable Group 2 & 3, the parameter value is 1+2=3.

Always On

PARAMETER NUMBER	DEFAULT VALUE	SIZE
4	0	1 [byte]

This parameter forces the Smart Plug status to be ON. While enable it is not possible to switch OFF the plug (local or wireless).

VALUE	DESCRIPTION
0	Always ON disable
1	Always ON enable

ALARM

The NodOn® Smart Plug embeds Smart Alarm management features, in order to react to different kinds of Notifications and Events (According to "Notification V1" command class)

Up to 8 Alarms can be configured, through Configuration parameters #5 to #20.

For each Alarm, the set-up is done through 2 configuration parameters, as below:

ALARM NUMBER	ALARM TYPE CONFIG. PARAMETER	ALARM SPECIFICATIONS CONFIG. PARAMETER
1	5	6
2	7	8
3	9	10
4	11	12
5	13	14
6	15	16
7	17	18
8	19	20

PARAMETER #	DEFAULT VALUE	SIZE
5/7/9/11/13/15/17/19	0	1 [byte]

This parameter is to set the Alarm X Type.

VALUE	DESCRIPTION
0	Power Failure detection disable
1	Power Failure enable (report to Lifeline only)
2	Enable group 4
4	Enable group 5
8	Enable group 6
16	Enable group 7
32	Enable group 8

Use the Home Automation Gateway interface or our Alarm set-up form to define the value corresponding to your need.

PARAMETER #	DEFAULT VALUE	SIZE
6/8/10/12/14/16/18/20	0	4 [byte]

This parameter is to set the Alarm X Specifications.

VALUE	DESCRIPTION
0	Alarm X Specifications disable
1	Alarm X Specifications enable

In order to configure properly each alarm, please use your Home Automation Gateway interface or our online form at : www.nodon.fr/support/asp3/alarm



COMMAND CLASS

The NodOn® Smart Plug supports the following Command Class :

COMMAND CLASS	VERSION
All switch	V1
Application status*	V1
Association	V2
Association Group Information	V1
Basic**	V1
Binary Switch	V1
Configuration	V1
Device Reset Locally	V1
Indicator	V2
Manufacturer Specific	V2
Notification	V4
Power Level	V1
Protection	V2
Version	V2
Z-Wave Plus® Info	V2

*Controlled only (not supported)

** Controlled AND supported

DECLARATION OF CONFORMITY

EN61058 2002+AE2008: 2008
NF C 61-314 2008+AE2010: 2010 (Type E)
DIN 0620 -1: 2013 (Schuko)
DIN 0620 -2-1: 2013 (Schuko)
EN301489-1 V1.6.1: 2013
EN301489-2 V1.6.1: 2013
EN300220-1 V2.4.1: 2012
EN300220-2 V1.9.2: 2011
2012/19/EC WEEE Directive

WARNING!

Unplug the product only when it is powered OFF.
Do not plug the products one behind the other.
Do not use the product in a humid area.
The product must be easy to access once plugged.

PICTOGRAM

This product is compliant with all relevant European standards.

When sorting your waste, please observe the disposal regulations in force. Please place your waste in the facilities provided for that purpose and with all due respect for the environment.

This product must be used indoor only.

This product uses a wireless communication protocol.

This product must not be in contact with water.

This product must not be exposed to a temperature higher than 50°C.

This product must not be exposed to any kind of fire or heat source.

This product must not be exposed to a temperature lower than -10°C.



This product is compliant with Z-Wave® and Z-Wave Plus® radio protocol.

CONTACT

NodOn® by ID-RF:

ID-RF SAS

121 rue des Hêtres
45590 St CYR EN VAL (FRANCE)

Notice en français: www.nodon.fr/notices
User guide in english: www.nodon.fr/notices
Manual de usuario en español: www.nodon.fr/notices
Gebruiksaanwijzing in vlaamse: www.nodon.fr/notices
Bedienungsanleitung in Deutsch: www.nodon.fr/notices

AFTER SALES

www.nodon.fr section "support"
contact@nodon.fr